

Contents

Introduction	2
Installation	4
LTC Installation.....	4
Lambda Sensor Installation	4
LTC Manager Software Installation	6
Configuration	8
Introduction	8
Setup.....	8
Calibration.....	13
Firmware.....	16
Operation	17
Monitoring LTCs	17
MoTeC Data Loggers	20
MoTeC 'Hundred Series' ECUs	21
Lambda and Air Fuel Ratio	24
LTC Operating Tips	26
Appendices	27
Appendix A – Specifications	27
Appendix B – Pinout	28
Appendix C – Dimensions	30
Appendix D – Wiring Details.....	33
Appendix E – LTC CAN Messages.....	36
Appendix F – Lambda to Air Fuel Ratio Table.....	39

Copyright © 2011 – MoTeC Pty Ltd

The information in this document is subject to change without notice.

While every effort is taken to ensure correctness, no responsibility will be taken for the consequences of any inaccuracies or omissions in this manual.

V1.5 15 September 2011

Introduction

MoTeC LTCs (Lambda to CAN) monitor and control Wideband Lambda sensors and transmit Lambda readings and diagnostics on a CAN bus. There are single channel LTC and Dual channel LTCD available to suit either Bosch LSU4.9 or NTK sensors:

- #61300 – Single channel Bosch LSU 4.9 Sensor
- #61301 – Dual Channel Bosch LSU 4.9 Sensors
- #61304 – Single Channel NTK Sensor
- #61305 – Dual Channel NTK Sensors

Up to 32 Lambda sensors can be configured on a single CAN bus using LTCs, allowing an ECU or Data Logger to simultaneously monitor multiple Lambda sensors.

Throughout this manual the LTC, LTCD, LTC-N and LTCD-N will be referred to as LTC except where details specific to a particular model are discussed.

Features

- Accurate Lambda measurement even when the exhaust gas temperature is changing rapidly (heating or cooling)
- Ability to perform free air sensor calibration or use the initial sensor factory calibration. LTC-N has the ability to be calibrated against a test gas.
- Pre-configured to work in a single LTC or LTCD installation, without requiring configuration with a PC
- LTC Manager software to:
 - configure and calibrate all LTCs on the CAN bus
 - display readings and diagnostics
 - configure the CAN transmission address of each LTC
 - control free air calibration
 - update LTC firmware

Compatibility

- MoTeC 'Hundred series' ECUs: M400, M600, M800 and M880
- MoTeC M1 Series ECUs
- MoTeC Data Loggers : SDL, SDL3, ADL, ADL2, ADL3, ACL

Accessories

- #57006 Bosch LSU 4.9 Lambda Sensor
- #57007 NTK Lambda Sensor
- #61059 MoTeC UTC - USB to CAN, used to communicate to the PC (optional)

Note: LTC is not compatible with MoTeC's CAN cable (part number 61021)

Installation

LTC Installation

The LTC can be mounted to a flat surface using the two mounting holes.

The LTC should be mounted as far as possible from the exhaust to avoid excessive heat.

Note: LTC maximum ambient temperature is 100 °C.

Use Connector A to connect the single LTC to the Lambda sensor. Use connectors A and B to connect the LTCD to two Lambda sensors. Use the Power/CAN Connector to power the LTC and connect to the CAN bus.

See [Appendices](#) for more details.

Lambda Sensor Installation

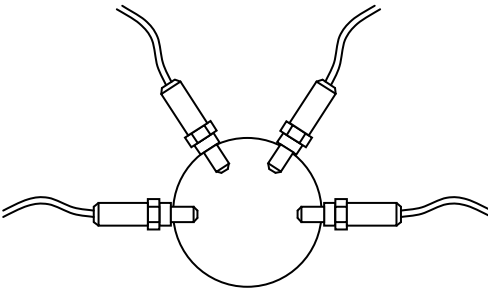
Warning: The Bosch LSU 4.9 Lambda sensors are fitted from the factory with a calibrated trimming resistor embedded in the sensor connector. If the factory sensor connector is cut off and replaced with another type, the LTC will not operate correctly.

Note: Unlike the Bosch LSU 4.9 the NTK sensors standard connector **can** be removed and replaced by a non-standard connector without affecting the performance of the sensor or the LTC-N. However, the initial factory calibration method will not work as the calibration resistor is built into the original connector. In this case Free Air calibration is required. It is recommended that no wiring modification is made to the NTK sensor or LTC-N unless completely necessary.

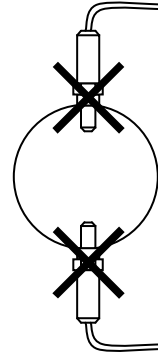
The Lambda sensor should be fitted to the exhaust system with the sensor tip protruding into the exhaust gas flow. The following considerations should be taken into account when fitting the sensor:

- Place the sensor on an angle between 10 and 90 degrees to the vertical with the tip of the sensor pointing down to prevent condensation build up between the sensor case and the sensor ceramic.
- Do not place the sensor in a vertical position; excess heat soak will prevent proper operation.
- Place the sensor at least 1 meter from the exhaust ports to avoid excessive heat (recommended).

- Place the sensor at least 1 meter from the open end of the exhaust system to avoid incorrect readings due to outside oxygen (recommended)
 - Where necessary for shorter exhaust systems the sensor could be placed closer to the engine.
- Place the sensor away from the flame front coming out of the cylinder head and away from areas where one cylinder may have more effect than another.

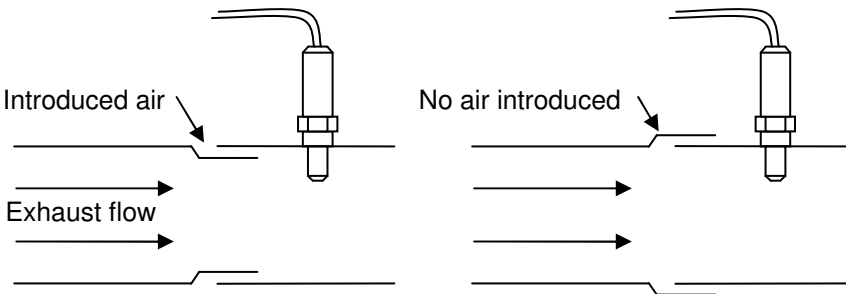


Correct sensor placement



Incorrect sensor placement

- If possible, do not place the sensor near exhaust slip joints; some designs allow air to enter resulting in incorrect readings. If the sensor has to be placed near a slip joint, reverse the slip joints to reduce the influence of introduced air.



Exhaust slip joint design

LTC Manager Software Installation

The LTC Manager software is required for configuration and calibration of LTC units. The software must be installed on Windows XP or Windows Vista. The same software package is used for the LTC, LTCD, LTC-N and LTCD-N.

Note: The LTC Manager software is not required if using a single LTC or LTCD unit preconfigured by MoTeC.

Install LTC Manager Software

- Go to the **MoTeC** website at www.motec.com and navigate to downloads > software > latest releases > LTC Manager

OR

Locate LTC Manager installation file on the MoTeC Resource Disc

- Save the LTC Manager installation file in your preferred location (for example desktop)
- Double click the saved file to run the installer
- Follow the installation instructions on the Install Shield Wizard
- To start the program after installation, double click the LTC Manager icon on the desktop

OR

Click Start > All Programs > MoTeC > LTC > LTC Manager

Updating Software

Software updates are available free of charge, giving access to the latest features for the life of the device. Download the latest software versions from the website and follow the software installation instructions to update to the new version.

To update the associated firmware in the device see [Firmware](#).

Configuration

Introduction

Note: LTC units come pre-configured to suit a single LTC or LTCD unit installation using the initial factory sensor calibration.

The default CAN address for the singular LTC is hex 460.

The default CAN addresses for LTCD is hex 460 for Lambda sensor 1 and hex 461 for Lambda sensor 2.

LTC Manager is used to individually configure and calibrate the connected LTC units. Configuration using LTC Manager is only necessary if installing multiple LTC units or if changes to the default settings are required.

All LTC configuration and calibration operations are performed directly on an LTC and configurations are not stored on disk.

Start LTC Configuration

- Connect the unit to the PC (see [Appendix D – Wiring Details](#))
- Ensure the unit is powered
- Start LTC Manager
 - Click the LTC Manager icon on the desktop
 - OR
 - Click Start > All Programs > MoTeC > LTC > LTC Manager.

The main LTC Manager window displays the live configuration and status of all LTC units present on the connected CAN bus.

Setup

CAN Address

The CAN setup determines which CAN address (specified in hex) the LTC uses to transmit readings and diagnostic information. The format of the CAN messages is described in. [Appendix E – LTC CAN Messages](#)

Each LTC on a CAN bus must be configured with a unique CAN address.

See [Operation](#) for information on configuring a MoTeC Data Logger or ECU to receive LTC CAN messages.

LTC Unit Setup

- To open the LTC Setup window, double click the row in the table containing the LTC or click the row and click **Setup**.

- Select the **Recommended Address** check box and enter one of the addresses in the drop down box to communicate with MoTeC products such as Data Loggers or 'hundred series' ECUs. The recommended address range for LTC messages is hex 460 to hex 47F.

OR

Select the **Custom Address** check box and enter an address (in hex) for interfacing with third party equipment.

OR

Select **Disabled** to prevent an LTC from transmitting CAN messages. While disabled an LTC will not heat the sensor or perform Lambda measurements.

Note: Lambda sensors should not be left in the exhaust system of a running engine if they are not being controlled. A disabled sensor in a running engine can be damaged.

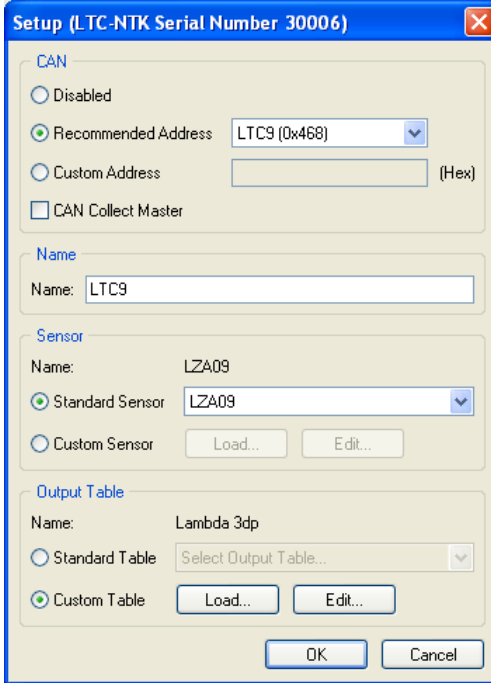
- In the Name area the default name will appear. The default name matches the selected CAN Address (LTC1 etc.). If required the user can specify a custom name (e.g. Left Bank or Cylinder 4).

Tip: The rows in the main LTC Manager window are sorted by the Name column.

- Click **OK**. The configuration updates will be sent to the LTC, this may take several seconds

LTC-N Unit Setup

- To open the LTC Setup window, double click the row in the table containing the LTC or click the row and click **Setup**.



- Select the **Recommended Address** check box and enter one of the addresses in the drop down box to communicate with MoTeC products such as Data Loggers or 'hundred series' ECUs. The recommended address range for LTC messages is hex 460 to hex 47F.

OR

Select the **Custom Address** check box and enter an address (in hex) for interfacing with third party equipment.

OR

Select **Disabled** to prevent an LTC from transmitting CAN messages. While disabled an LTC will not heat the sensor or perform Lambda measurements.

Note: Lambda sensors should not be left in the exhaust system of a running engine if they are not being controlled. A disabled sensor in a running engine can be damaged.

- In the Name area the default name will appear. The default name matches the selected CAN Address (LTC1 etc.). If required the user can specify a custom name (e.g. Left Bank or Cylinder 4).

Tip: The rows in the main LTC Manager window are sorted by the Name column.

- Select a **Standard Sensor** type from the drop down menu

OR

Select a **Custom Sensor**

Note: Custom sensor setups are for advanced users and it is not recommended for general use.

- Select a Standard **Output Table**, generally Lambda to three decimal places

OR

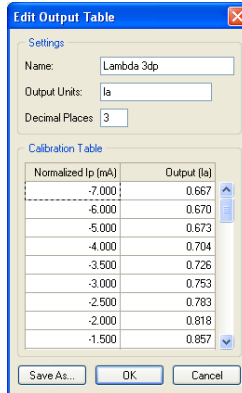
Use a **Custom Table** for another type of fuel, e.g. Diesel.

- Click **OK**. The configuration updates will be sent to the LTC, this may take several seconds

LTC-N Output Table

The standard output table for the LTC-N is for Lambda to three decimal places. It is possible for the user to make a custom table to suit the Air/Fuel ratio of any fuel.

When the **Edit** button is clicked under **Output Table** a table of Normalized Current appears. The standard Lambda values appear in the **Output** column, these numbers can be modified to reflect Air/Fuel ratio of a specific fuel. See [Appendix F](#) for details of common fuels.



Custom tables can be saved using the **Save As** button.

CAN Collect Functionality

CAN Collect functionality allows one LTC (the CAN Collect Master) to collect CAN data from up to 15 other slave LTCs, and retransmit these Lambda readings on a single CAN address (see [Appendix E – LTC CAN Messages](#)).

Note: A CAN Collect Master device will continue to transmit the standard LTC messages in addition to the special collect master messages.

CAN Collect functionality requires only a single CAN address to be configured on a MoTeC Data Logger to receive up to 16 Lambda readings.

See [Operation](#) for information on configuring MoTeC Data Loggers or ECUs to use CAN Collect.

Configure Master and Slave Units

- To configure an LTC as the CAN Collect Master device, select the **CAN Collect Master** check box and select a CAN address. The CAN address for the Master device is the address on which the collected Lambda values will be retransmitted. This address must end in a zero (i.e. hex 460, 470 etc). The recommended address is hex 460.
- To configure an LTC as a CAN Collect Slave device, clear the **CAN Collect Master** check box and select a CAN address. The CAN address for a Slave device must be configured with one of the 15 addresses following the master address. For example, if the collect master

address is hex 460, the slave devices must use CAN addresses in the range hex 461 to 46F.

The Collect column on the main LTC Manager Window shows the configuration of CAN Collect Masters and Slaves. The Master device is always shown as LTC unit 1 (Master (1)), and the slave devices are shown as LTC units 2 to 16 according to the configured CAN address as shown in this example.

CAN Address	Collect
0x460	Master (1)
0x461	Slave (2)
0x462	Slave (3)
0x465	Slave (6)

Calibration

Warning: The Bosch LSU 4.9 Lambda sensors are fitted from factory with a calibrated trimming resistor embedded in the sensor connector, if the factory sensor connector is cut off and replaced with another type the LTC will not operate correctly.

Note: Unlike the Bosch LSU 4.9 the NTK sensors standard connector can be removed and replaced by a non-standard connector without affecting the performance of the sensor or the LTC-N. However, the initial factory calibration method will not work as the calibration resistor is built into the original connector. In this case Free Air calibration is required. It is recommended that no wiring modification is made to the NTK sensor or LTC-N unless completely necessary.

Calibration Methods

Initial factory calibration

The default calibration method uses the known characteristics of a new sensor that has been factory trimmed.

Free Air Calibration

As a sensor ages, the sensor calibration may change. To maintain accurate readings, the LTC allows for re-calibration using the known oxygen concentration of free air. The free air calibration procedure takes several readings with the sensor in free air to calculate new calibration values.

To perform an accurate free air calibration, the lambda sensor must be removed from the exhaust and placed in an open air environment.

It is recommended to perform the calibration outside of a workshop or dyno room as there may be large amounts of hydrocarbons in the atmosphere.

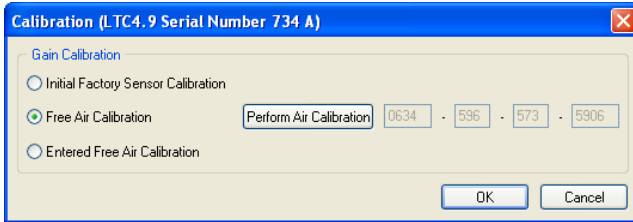
Contaminated air will result in an incorrect calibration or a failure to calibrate. Wind should also be avoided as it can affect the free air calibration.

Reference Gas Calibration

Reference gas samples for different lambda can be purchased (not available from MoTeC) for use as a means of calibrating the LTC. This method is provided for but is unlikely to be implemented by most users.

Calibrate the LTC Unit

- Click Calibrate... to open the Gain Calibration window



- Select one of the three options available.
 - Select the **Initial Factory Sensor Calibration** check box. This is the default value and can be used in most cases.

OR

Select the **Entered Free Air Calibration** check box and enter the values in the boxes if a previous free air calibration value is known,

OR

Select the **Free Air Calibration** check box to perform a new calibration.

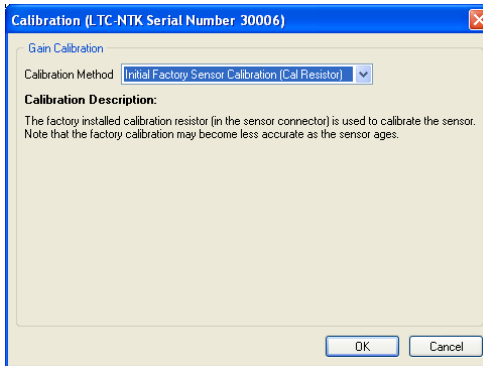
- Click **Perform Air Calibration**
 - Note:** The calibration process may take several minutes during which the calibration progress window is displayed.
 - When the message *Calibration completed* appears click **OK**
 - The new calibration value is displayed. This value should be recorded against the serial number of the sensor to enter this calibration when the sensor is used with another LTC unit.
 - To apply the new calibration click **OK**.

- Click **OK** to save the calibration method and settings to the LTC.

Tip: Spare sensors can be air calibrated before an event and tagged with the 14 digit calibration number. This number can be used in the entered Free Air Calibration option for quick replacement of a sensor during the event.

Calibrate the LTC-N Unit

- Click Calibrate... to open the Gain Calibration window



- Select one of the four options available.
 - Select the **Initial Factory Sensor Calibration** check box. This is the default value and can be used in most cases.

OR

Select the **Entered Gain Factor** from a previous Free Air Calibration or Reference Gas Calibration

OR

Select the **Free Air Calibration** check box to perform a new calibration.

- Click **Perform Air Calibration**

Note: The calibration process may take several minutes during which the calibration progress window is displayed.

- When the message *Calibration completed* appears click **OK**
- The new calibration value is displayed. This value should be recorded against the serial number of the sensor to enter this calibration when the sensor is used with another LTC unit.
- To apply the new calibration click **OK**.

OR

Select the **Reference Gas Calibration**.

Note: A Reference Gas Calibration is not recommended for normal use as it required calibrated testing gas.

- Click **OK** to save the calibration method and settings to the LTC.

Tip: Spare sensors can be air calibrated before an event and tagged with the 4 digit calibration number. This number can be used in the Entered Gain Factor calibration option for quick replacement of a sensor during the event.

Firmware

Each version of the LTC Manager software includes a matching firmware version that must be sent to the LTC in order to operate correctly.

The **Config Status** column in the main LTC Manager window will indicate if the firmware version requires updating.

Update the Firmware

- Select the LTC row in the main LTC Manager window
- Click **Update Firmware**.
A progress window will be displayed while the firmware is sent to the LTC.

Operation

Monitoring LTCs

The main LTC Manager window shows live readings, diagnostics and LTC state information for all connected LTCs.

Serial Num	Name	Reading (Lamb...	Sensor State	Diagnostics	LTC Temp.(C)	CAN Address	Collect	Config Status	Firmware Version
103	LTC1	10.000	Running		39	0x460		OK	V1.00 B
40000 A	LTC2	0.000	Starting	Sensor open error	40	0x461		OK	V1.00 B
40000 B	LTC3	0.000	Starting	Sensor open error	37	0x462		OK	V1.00 B

Serial Num

The Serial Num column shows the unique serial numbers of all connected LTCs. An LTCID will be displayed as two LTCs with the same serial number but the designators A and B to identify the two sensors.

Name

The Name column shows the assigned names of all connected LTCs. The displayed name is configured in the Setup dialog. The LTC rows in the main screen are sorted by the name column.

Readings

The Readings column shows live readings of all connected LTCs. The readings can be configured to display as either Lambda or AFR (Air Fuel Ratio) for a number of different fuels.

Note: the display units do not affect the units of the transmitted readings in CAN messages.

Configure display units

- Select Tools > Options.

- Choose a predefined stoichiometric AFR for one of various fuels
OR

Define a custom AFR by entering a stoichiometric point between 1.0 and 100.0.

Display live readings in larger format

- Select View > Readings or press F5.
This larger format display provides a useful means of monitoring several sensor values while tuning.



Sensor State

The Sensor State column shows the operating state of all connected LTCs.

Sensor State	Description
Starting	LTC hardware is performing a self calibration
Heating	The Lambda sensor is outside the temperature range required for measurement
Running	Lambda measurement is active
Cooling	A heater short circuit or a failure to reach operating temperature has occurred. The sensor is allowed to cool before another attempt at heating.

Diagnostics

The Diagnostics column shows faults and diagnostic information for all connected LTCs.

Diagnostic	Description
Heater short circuit (GND)	A short circuit to ground has been detected in the heater wiring
Heater short circuit (Batt+)	A short circuit to battery+ has been detected in the heater wiring
Heater open circuit	An open circuit has been detected in the heater wiring
Failed to achieve heat	The measured sensor temperature is not responding to sensor heating. This fault may indicate a fault with the sensor wiring.
Sensor short circuit	A short circuit has been detected in the sensor wiring
Corrupt Firmware	The LTC firmware is corrupt. Upgrade the firmware to restore operation.
Incompatible Firmware	The LTC firmware is incompatible with LTC Manager. Upgrade the firmware to restore operation.

LTC Temp

The LTC Temp column shows live internal temperature readings of all connected LTCs.

Note: The temperature column shows the temperature of the LTC unit, **not** the sensor temperature.

CAN Address

The CAN Address column shows the configured CAN addresses (in hex) of all connected LTCs.

To configure the CAN addresses see [Setup](#).

Collect

The Collect column shows the configured CAN Collect functionality of all connected LTCs. To configure the CAN Collect functionality see [Setup](#).

A configured CAN Collect Master device is always shown as Master (1).

Any LTC unit configured with a CAN address within the 15 CAN addresses following a Collect Master address will be shown as Slave (x).

The number in the collect column (e.g. (3)) refers to the LTC number (1 to 16) in the messages transmitted by a Collect Master LTC.

For more information about CAN Collect, see [CAN Collect Functionality](#)

Config Status

The Config Status column shows any issues relating to the configuration of the connected LTCs.

Config Status	Description
OK	Config is OK
Disabled	The LTC has been disabled under the Setup options. A disabled LTC will not measure or transmit readings.
Incompatible Config	The configuration in the LTC is not compatible with the firmware in the LTC. A new configuration can be sent to the LTC by changing the Setup or Calibration.
Corrupt Config	The configuration in the LTC is corrupt. A new configuration can be sent to the LTC by changing the Setup or Calibration.
CAN Address Conflict	Multiple LTC units have been configured with the same CAN address. Each LTC must be configured with a unique address.

Firmware Version

The Firmware Version column shows the version of the firmware in each of the connected LTCs.

MoTeC Data Loggers

MoTeC Data Loggers SDL, SDL2, ADL2, ADL3 and ACL include CAN communication templates to receive LTC messages from up to 16 LTCs.

Received Lambda readings and diagnostics can be displayed and logged. Refer to the Dash Manager software for more information.

Configure Data Logger Communications for LTC:

- Select Inputs > Communications

- Click on an unused CAN row in the Communication Sections
- Click **Select** button and choose a template
 - Select the matching template (e.g. *LTC #1 (CAN ID 460)*) to receive all available readings and diagnostics from an LTC. The selected template must match the LTC CAN address specified in LTC Manager.
Receiving full LTC messages provides the most information about an LTC and requires one CAN section per LTC in the communications setup.
 - Select the *LTC Collect 16 Channel* CAN template to receive Lambda readings from up to 16 LTCs. The LTCs must be configured in LTC Manager for CAN Collect functionality using address hex 460 for the CAN Collect Master.
Receiving CAN collect messages provides only Lambda readings from each LTC and only requires one CAN section in the communications setup for up to 16 Lambda readings.
For more information see [CAN Collect Functionality](#).

MoTeC 'Hundred Series' ECUs

MoTeC 'Hundred Series' ECUs (M400, M600, M800, M880) can be configured to receive Lambda measurements from up to 12 LTCs using the existing PLM CAN templates in the ECU Manager software. The M84 ECU can receive two channels of Lambda with CAN addresses 460 and 461.

Received Lambda readings can be used in engine control and logged. Refer to the ECU Manager software for more information.

Note: The ECU only stores the Lambda readings from the LTC messages; LTC diagnostic information is not stored.

Configure Hundred Series ECU Communications for LTC

- Select Adjust > General Setup > Communication > CAN Setup
- For single LTC configuration:
 - Select a spare CAN data slot in the range CAN 1 to CAN 6
 - Enter 1 - PLM Receive for CAN Data
Enter the LTC CAN Address in decimal*. The address must match the CAN address specified in LTC Manager.
- For CAN Collect configuration:
The LTCs must be configured in LTC Manager for CAN Collect functionality using address hex 460 for the CAN Collect Master.

- Enter 1 - PLM Receive for CAN 6 Data
- Enter the LTC CAN address in decimal* for CAN 6 address. The address must match the CAN address specified in LTC Manager for the CAN Collect Master LTC. The recommended address is 1120.

* **Important:** CAN addresses in ECU Manager are in decimal, while the CAN addresses in LTC Manager are in hex. e.g. 1120 decimal = 460 hex

Configure M84 ECU Communications for LTC

- Select Adjust > General Setup > Communication > CAN Setup
- For single or dual LTC configuration:
 - Enter a CAN Address of 1120 (460 Hex) into the PLM CAN Address

Assign Lambda measurements to a Hundred Series channel

Lambda measurements from the LTCs must be assigned to an ECU channel before they can be used for engine control or logging.

- Select Adjust > Sensor Setup > Input Setup... to open the Input Pins Setup dialog.
- Attach an LTC reading to a channel, using the following parameters

Input Source	Predefined Calibration
PLM 1 to PLM 12	#81 Lambda: PLM over CAN

Example 1: LTC1 reading assigned to channel Lambda 1

The screenshot shows the 'Input Pins Setup' dialog box with the following configuration:

Channel Name	Input	Calibration	ID
Throttle Position (TP)	AV1	#11 Throttle(%): Linear	3
Manifold Pressure (MAP)	AV2	#13 Pres(kPa): Delco 105kPa	11
Inlet Air Temp (AT)	AT1	#1 Temp(C): Bosch 2500ohm	21
Engine Temp (ET)	AT2	#1 Temp(C): Bosch 2500ohm	81
Lambda 1 (La1)	PLM 1	#81 Lambda: PLM over CAN	0

Example 2: LTC1 to LTC4 readings assigned to Lambda Cyl channels

Input Pins Setup						
Engine	EGT	DBW/Servo	User	Lambda Cyls	Speed	Other
Channel Name	Input	Calibration		D		
Lambda Cyl 1 (LaCyl1)	PLM 1	#81 Lambda: PLM over CAN		0.		
Lambda Cyl 2 (LaCyl2)	PLM 2	#81 Lambda: PLM over CAN		0.		
Lambda Cyl 3 (LaCyl3)	PLM 3	#81 Lambda: PLM over CAN		0.		
Lambda Cyl 4 (LaCyl4)	PLM 4	#81 Lambda: PLM over CAN		0.		
Lambda Cyl 5 (LaCyl5)						

Assign Lambda measurements to a M84 channel

For an M84 the Lambda Input Source is fixed so only the Calibration needs to be chosen – Predefined “#81 Lambda: PLM over CAN”

Lambda and Air Fuel Ratio

Lambda gives a measure of the Air to Fuel Ratio (AFR) that is independent of the type of fuel being used.

Lambda 1.00 Stoichiometric ratio: no excess fuel and no excess air

Lambda > 1.00 Lean: excess air

Lambda < 1.00 Rich: excess fuel

Stoichiometric Air Fuel Ratio for various fuels

Lambda	Air Fuel Ratio			
	Petrol	Alcohol	LPG	Diesel
1.0	14.7	6.4	15.5	14.5

Calculations with Lambda

Fuel	Stoichiometric AFR	Measured value	Calculated value
Petrol	14.7	AFR = 14	Lambda = $14/14.7 = 0.95$
Diesel	14.5	Lambda = 1.1	AFR = $1.1 \times 14.5 = 16$

See [Appendix F – Lambda to Air Fuel Ratio Table](#) for a quick reference table.

Engine Tuning with Lambda

When tuning the engine, the target Lambda (or AFR) is dependent on the tuning objective. The following table can be used as a guideline.

Tuning objective	Lambda
Maximum power	0.84 to 0.90
Economy	1.05
Emissions	1.00

Normally the engine is tuned for maximum power at full load and for emissions or economy at light loads.

The exact requirements for a specific engine and fuel can only be found by experimentation. On turbo engines extra fuel may be desirable to reduce exhaust temperatures and help avoid knock. If the vehicle is fitted with a catalytic converter, extra fuel may be required to ensure the catalyst does not overheat when not operating at Lambda 1.00

Lambda Sensor

Sensor Warm-up

The internal heater in the Lambda sensor is powerful enough to allow accurate measurement when gas temperature is at room temperature. The sensor will take approximately 20 seconds to heat up.

The maximum continuous operating temperature of the sensor is 850 °C. Sensors should not be used at higher temperatures for a prolonged period, although the sensor can be heated to 930 °C for a maximum of 10 minutes. This may however reduce the accuracy.

Sensor Lifetime

The sensor lifetime is dependent on the type of fuel being used and the volume of gas flow over the sensor.

Sensor lifetime will be reduced by contaminants such as silicon, lead, oil, etc. Thermal cycling and exposure to exhaust fumes without any heating control active will also age the sensor more rapidly.

Manifold sealants can contaminate sensors. Use sealants that are sensor-friendly to prevent reduced sensor lifetime.

When using leaded fuel, sensor element contamination will reduce the sensor lifetime substantially. Typically sensor lifetime for high performance engines is at least 500 hours in unleaded fuel and 50 hours in leaded fuel. Longer lifetimes can be expected for less demanding applications. These figures are a conservative estimate as the sensors are designed to be accurate for 50,000 km of operation in a road car.

Incorrect placement in the exhaust can overheat the sensor and significantly reduce the sensor life. For the Bosch LSU 4.9 the sensor impedance (Ri) is an indication of sensor temperature. In normal operation Ri should be approximately 300 ohms. If Ri is less than 250 ohms then the sensor is being overheated. Ri is included in the transmitted CAN messages. Due to the different control system for the NTK sensor the Ri parameter is not applicable.

At the end of its life the sensor becomes slow to respond and does not read rich properly. Regular performance of the Free Air Calibration (see [Calibration](#)) will maintain the accuracy of the sensor over its lifetime.

LTC Operating Tips

If the engine misfires for any reason, including an over-rich mixture, the LTC may falsely read Lean. This is due to excess air being present in the exhaust gasses, caused by incomplete combustion.

Other areas that can give misleading readings include at high RPM, closed throttle when the mixture won't burn completely. Following overrun fuel cut when the sensor has become saturated with oxygen it can take up to several seconds to resume accurate readings. Engine misfires include hitting the rev-limiter, be it a fuel or ignition cut or a combination of both, and can give a similar result with time being required to purge the sensor of excess oxygen or fuel.

Engines with high overlap camshafts running at low speed may pump air through the engine resulting in a false lean reading, Therefore the LTC may need to read leaner than would otherwise be expected.

Appendices

Appendix A – Specifications

- | | |
|-------------------------|--|
| Sensor Type | <ul style="list-style-type: none">• Bosch LSU 4.9 Lambda sensor (LTC4.9)• NTK LZA09 Lambda Sensor |
| Power Supply | <ul style="list-style-type: none">• 11 V - 16 V DC• 110 mA typical current plus the sensor heater current.• Heater current is typically 0.5 A - 1 A (up to 2 A on startup) |
| Communications | <ul style="list-style-type: none">• 1 Mbit/sec CAN |
| Physical | <ul style="list-style-type: none">• Dimensions 38 x 26 x 14 mm excluding wiring looms and connectors• Weight 62 grams• Mounting holes spacing 32 mm (Ø3.2 mm) |
| Max Temperatures | <ul style="list-style-type: none">• Max ambient temperature at device 100 °C• Max internal device temperature 125 °C |

Appendix B – Pinout

Bosch LSU version (LTC 4.9)

LTC Connector A LTCD Connector A and B		
Bosch LSU 4.9 sensor connector Mating connector: supplied on sensor		
Pin No	Wire Colour	Description
1	Red	Ip
2	Yellow	Sensor 0 V
3	White	Heater -
4	Grey	Heater +
5	Green	lpr
6	Black	Vs

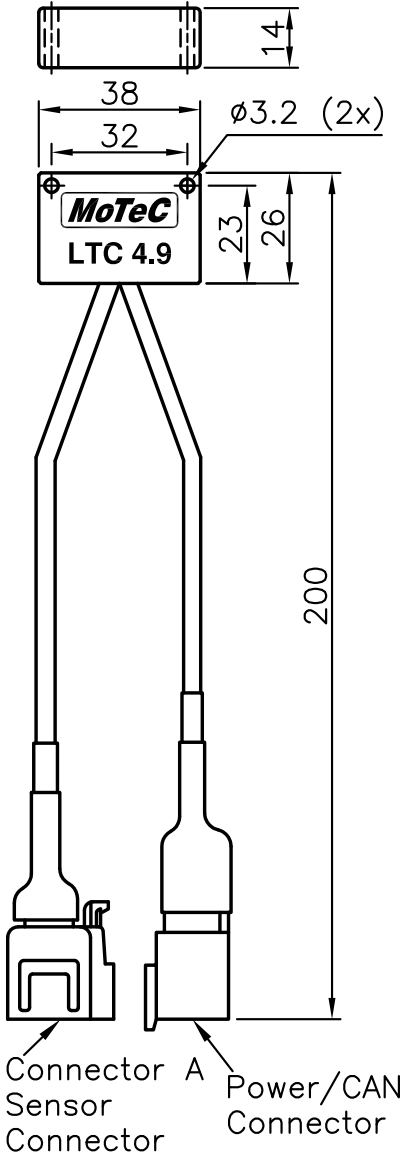
Power/CAN Connector		
DTM 4pin (M) (#68055) Mating connector: DTM 4pin (F) (#68054)		
Pin No	Wire Colour	Description
1	Black	Battery -
2	Green	CAN Lo
3	White	CAN Hi
4	Red	Battery +

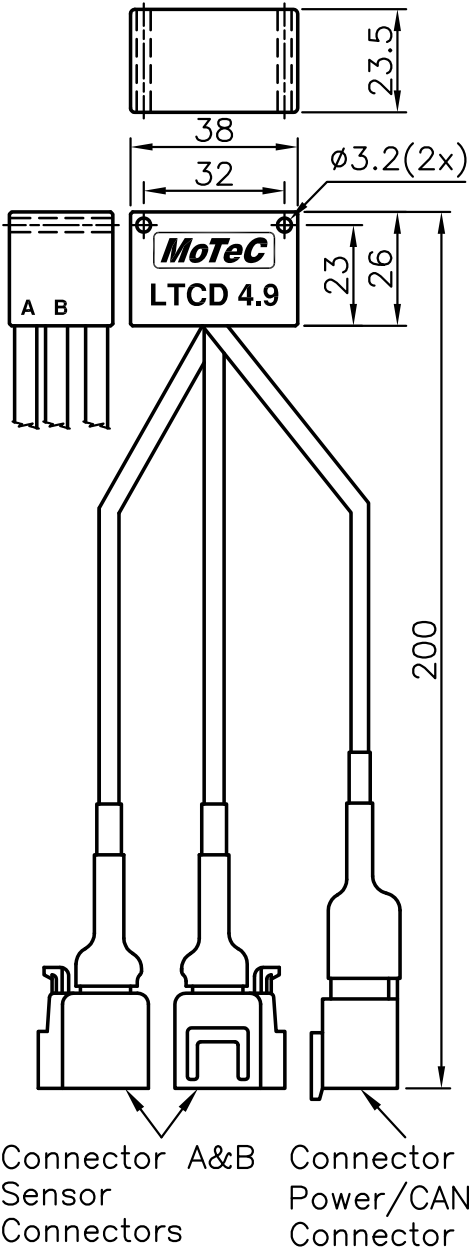
NTK version (LTC-N)

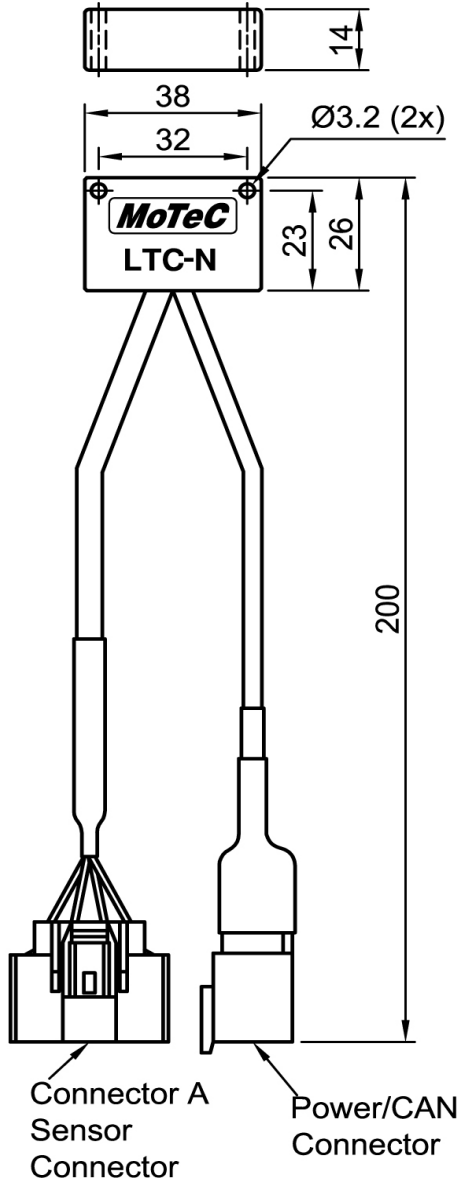
LTC-N Connector A NTK sensor connector Mating connector: supplied on sensor		
Pin No	Wire Colour	Description
1	Blue	Heater +
2	Yellow	Heater -
3	Orange	Rc
4	Black	Sensor 0V
5	N/C	
6	Grey	VS
7	White	IP
8	Black	Sensor 0V

Power/CAN Connector DTM 4pin (M) (#68055) Mating connector: DTM 4pin (F) (#68054)		
Pin No	Wire Colour	Description
1	Black	Battery -
2	Green	CAN Lo
3	White	CAN Hi
4	Red	Battery +

Appendix C – Dimensions







Appendix D – Wiring Details

To connect a single LTC unit, the Power/CAN Connector pins should be wired according to the following table, taking into account general CAN bus wiring requirements:

LTC/LTC-N Pin	Battery - 1	CAN Lo 2	CAN Hi 3	Battery + 4
SDL & SDL3 (CAN 0)	Ground	35	36	Power 12 V (see tip)
SDL3 (CAN 1)		29	30	
ADL2		73,75	74,76	
ADL3 (CAN 0)		73	74	
ADL3 (CAN 1)		75	76	
ACL (CAN 0)		5	6	
ACL (CAN 1)		7	8	
M84		B24	B23	
M400/M600/M800		B24	B23	
M880		47	48	

Tip: To wire the LTC to power, connect either to the ignition switch for fast sensor start up or connect to the fuel pump relay to prevent accidental battery drainage

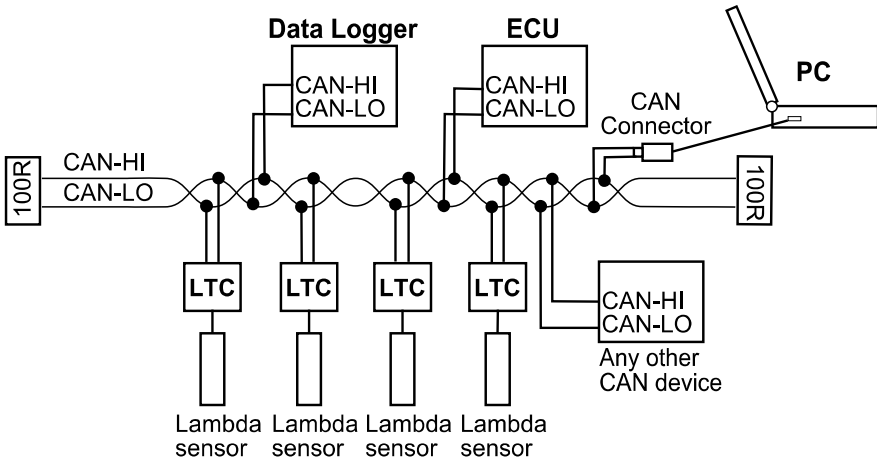
For wiring a CAN bus with several LTCs and any number of other CAN devices refer to the example below.

PC Connection

The LTC connects to the USB port on the PC via a MoTeC UTC (USB to CAN). The UTC is plugged into a CAN connector wired into the CAN bus.

Wiring Loom Connection

Care must be taken for power and ground wiring for the LTC. Each sensor can draw over 3 Amps when cold if multiple channels of Lambda are used this current draw will increase dramatically. Wiring size should be suitable for the number of LTCs used.



General CAN Bus Wiring Requirements

The CAN bus should consist of a twisted pair trunk with 100R terminating resistors at each end. The preferred cable for the trunk is 100R data cable. The maximum length of the bus is 16 metres (50 ft)

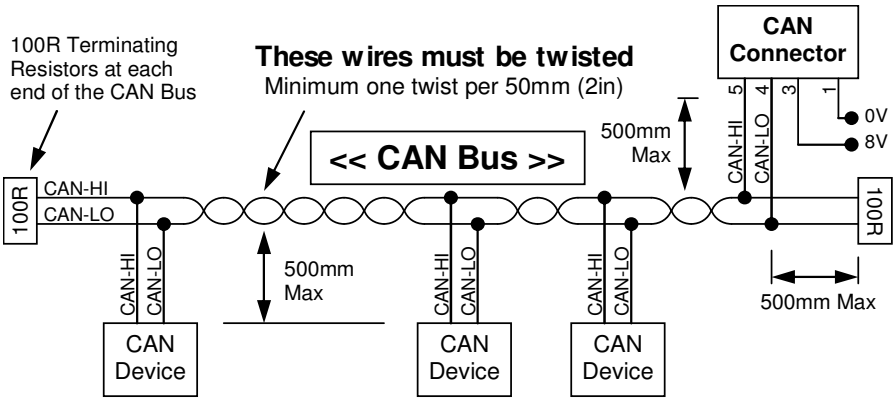
CAN devices (such as MoTeC Data Loggers, ECUs etc) may be connected to the trunk with up to 500 mm (20 in) of twisted wire.

The CAN connector for the UTC may also be connected to the trunk with up to 500 mm (20 in) of twisted wire and should be within 500 mm of one end of the trunk.

If desired, two CAN connectors may be used so that the MoTeC UTC may be connected to either side of the vehicle. Each connector must be within 500 mm of an end of the trunk.

Short CAN Bus

If the CAN bus is less than 2 meter (7 ft) long, a single termination resistor may be used. The resistor should be placed at the opposite end of the CAN bus to the CAN connector.



Appendix E – LTC CAN Messages

Messages 1 and 2 are transmitted by all LTC units.

Messages 5 to 10 are only transmitted from an LTC unit configured as a CAN Collect Master.

Message 1

Byte	Name	Scaling	
0	Compound ID = 0	N/A	
1:2	Lambda	Hi:Lo = x.xxxLa	
3:4	I _{pn} (Normalised pump cell current)	Hi:Lo = xxxx μ A	
5	LTC Internal Temperature	xxx °C	
6	Fault bits	Heater short to Gnd Heater short to VBatt Heater open circuit Heater failed to heat Sensor wire short	Bit 0 Bit 1 Bit 2 Bit 3 Bit 4
7	Heater duty cycle	xxx%	

Message 2

Byte	Name	Scaling	
0	Compound ID = 1	N/A	
1	Sensor State	START DIAGNOSTICS PRE CAL CALIBRATION POST CAL PAUSED HEATING RUNNING COOLING	0 1 2 3 4 5 6 7 8
2:3	Battery Voltage	Hi:Lo = x.xxV	
4:5	I _p (Raw pump cell current)	Hi:Lo = xxxx μ A	
6:7	R _i (Sensor cell impedance) (0 for LTC-N, not applicable)	Hi:Lo = xxxx Ohms	

Message 3

Byte	Name	Scaling	
0	Compound ID = 2	N/A	
1	Firmware Version Letter	A B C	0 1 2
2:3	Firmware Version Number	e.g. 104 = v1.04	
4:5	Serial Number		

Message 5

Byte	Name	Scaling
0	Compound ID = 4	N/A
1	Reserved	N/A
2:3	LTC1 (Master LTC) Lambda	Hi:Lo = x.xxxLa
4:5	LTC2 Lambda	Hi:Lo = x.xxxLa
6:7	LTC3 Lambda	Hi:Lo = x.xxxLa

Message 6

Byte	Name	Scaling
0	Compound ID = 5	N/A
1	Reserved	N/A
2:3	LTC4 Lambda	Hi:Lo = x.xxxLa
4:5	LTC5 Lambda	Hi:Lo = x.xxxLa
6:7	LTC6 Lambda	Hi:Lo = x.xxxLa

Message 7

Byte	Name	Scaling
0	Compound ID = 6	N/A
1	Reserved	N/A
2:3	LTC7 Lambda	Hi:Lo = x.xxxLa
4:5	LTC8 Lambda	Hi:Lo = x.xxxLa
6:7	LTC9 Lambda	Hi:Lo = x.xxxLa

Message 8

Byte	Name	Scaling
0	Compound ID = 7	N/A

1	Reserved	N/A
2:3	LTC10 Lambda	Hi:Lo = x.xxxLa
4:5	LTC11 Lambda	Hi:Lo = x.xxxLa
6:7	LTC12 Lambda	Hi:Lo = x.xxxLa

Message 9

Byte	Name	Scaling
0	Compound ID = 8	N/A
1	Reserved	N/A
2:3	LTC13 Lambda	Hi:Lo = x.xxxLa
4:5	LTC14 Lambda	Hi:Lo = x.xxxLa
6:7	LTC15 Lambda	Hi:Lo = x.xxxLa

Message 10

Byte	Name	Scaling
0	Compound ID = 9	N/A
1	Reserved	N/A
2:3	LTC16 Lambda	Hi:Lo = x.xxxLa
4:5	Reserved	N/A
6:7	Reserved	N/A

Appendix F – Lambda to Air Fuel Ratio Table

Lambda	Air Fuel Ratio			
	Petrol	Alcohol	LPG	Diesel
0.70	10.3	4.5	10.9	10.2
0.75	11.0	4.8	11.6	10.9
0.80	11.8	5.1	12.4	11.6
0.85	12.5	5.4	13.2	12.3
0.90	13.2	5.8	14.0	13.1
0.95	14.0	6.1	14.7	13.8
1.00	14.7	6.4	15.5	14.5
1.05	15.4	6.7	16.3	15.2
1.10	16.2	7.0	17.1	16.0
1.15	16.9	7.4	17.8	16.7
1.20	17.6	7.7	18.6	17.4
1.25	18.4	8.0	19.4	18.1
1.30	19.1	8.3	20.2	18.9
1.35	19.8	8.6	20.9	19.6
1.40	20.6	9.0	21.7	20.3
1.45	21.3	9.3	22.5	21.0
1.50	22.1	9.6	23.3	21.8
1.55	22.8	9.9	24.0	22.5
1.60	23.5	10.2	24.8	23.2